

LINEAR ROBOTICS

AUTOMATION COMPONENTS

MOTION ACCESSORIES

ABOUT MACRON

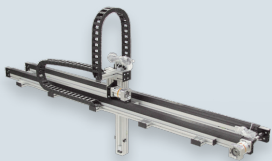
Macron Dynamics, Inc. is a manufacturer of linear robotic systems and mechanical motion components, providing automation solutions for applications found around the globe.

For more than 25 years, Macron has refined each component and every product through time-tested installations and experience. Macron products are built with the highest quality materials, assembled in the USA, and engineered to withstand the abuses of rigorous, daily usage. The result is a combination of versatility, positioning repeatability, durability, and virtually maintenance-free operation.

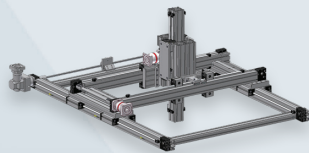
The trademarks of a Macron automation system include long travel capabilities, smooth, fast and repeatable belt driven motion, easy configuration, and extreme high quality.

LINEAR ROBOTICS

Motion so versatile, you won't believe it's linear. Available in 2 and 3 axis designs, Macron linear robotic systems are built to meet the specifications of any time, space, or size necessary to your unique application.



X/Z HD Robot



X/Y/Z Robot



H-Bot



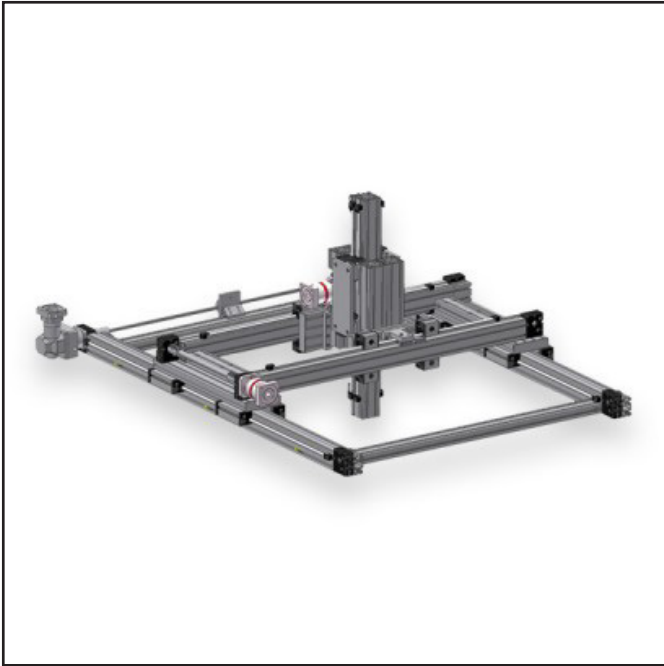
T-Bot

Our gantry and cartesian systems are available standard or configured to meet your specs. Motor mounting flexibility, cable management solutions, and plug and play functionality are just a few added bonuses to our proven experience in belt and screw driven technology.



LINEAR ROBOTICS > X/Y/Z CARTESIAN GANTRIES

X/Y/Z CARTESIAN GANTRIES



MGS-14H OPTIONS

X AXIS TRAVEL (MM)

1000 2000 Custom

Y AXIS TRAVEL (MM)

1000 2000 Custom

Z AXIS TRAVEL (MM)

500 1000 Custom

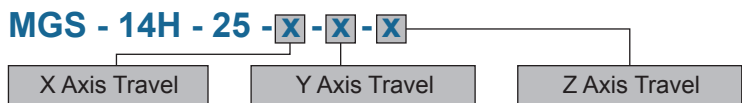
OPTIONS FOR:

Controls Motor Gearbox

Features

- The STANDARD in Cartesian X/Y/Z gantry robots based on the MSA-14H heavy duty actuator platform
- For programmable pick & place functionality and product mix flexibility the MGS-14S cannot be beat
- Positional repeatability +/- .05 mm [.002 inches]
- Speeds up to 2M/sec.
- The Macron Z axis belt driven actuator is robust and high speed yet forgiving
- Z axis is available with the Macron CLAWSTM Arresting system a patent pending free fall protection device
- Systems can be configured with MPG gearboxes or center drive gearboxes on special order
- Compatible with MacFRAME structural components
- Optional cable management solutions available

HOW TO BUILD YOUR HBG-25:



SPECIFICATIONS

Specifications	
Configuration	Dual X / Dual Y/Z
Belt Type	25
Maximum Load	200 lbs.
Standard X Travels	1000 or 2000 mm
Standard Y Travels	1000 or 2000 mm
Standard Z Travels	500 or 1000 mm

Macron Solutions Since 1987

MACRON DYNAMICS, INC. 1-800-MACRON-1 (1-800-622-7661)
 100 Phyllis Drive Phone: 267-557-3590
 Croydon, PA 19021 Fax: 215-443-0981
 © 2014 MACRON DYNAMICS, INC.

Macron Guarantee

All Macron actuators and belt drives are covered by our
 1-Year Warranty